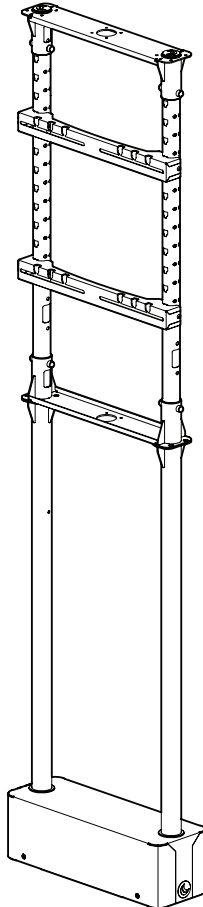


# Installation Guide

**SPDS4100**

**In-window floor mount - single screen**





## CAUTION

- Please ensure that you read and understand the content of the installation guide, before you begin the installation process.
- This product must be installed by a professional installer. More than one person needs to be involved in the installation of this product.
- Do not overtighten the fixings.
- The maximum weight limit for the hardware (screen, accessories etc.) for this solution is 75 kg. Do not exceed the stated weight limit.
- This product is intended for indoor use only.
- This product needs to be bolted to the floor. It is the responsibility of the installer to use the appropriate floor fixings for the specific installation location. Please follow the fixing suppliers recommendations for installation.
- This solution is designed for certified hardware and accessories. Always follow the installation guide from the hardware manufacturer for correct installation.
- Do not power the hardware until the entire solution is fully assembled.
- If these installation instructions are not followed precisely, it could lead to product failure and potential personal injury.
- Ergonomic Solutions cannot be held responsible for any product failure or personal injury, if the installation instructions are not followed correctly.
- Ergonomic Solutions cannot be held responsible for any product failure or personal injury, if any modifications have been made to the product by the customer.

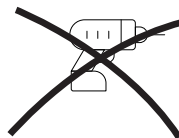
## MAINTENANCE

- It is the responsibility of the customer to periodically check the installation and ensure it is clean and all fixings are tightened correctly

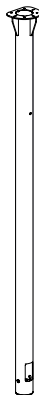
## Tool list



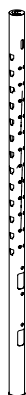
SPIRIT LEVEL



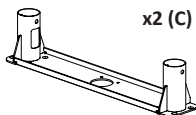
## Box content



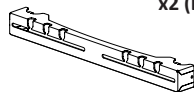
x2 (A)



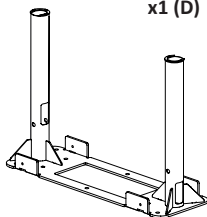
x2 (B)



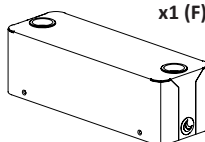
x2 (C)



x2 (E)



x1 (D)



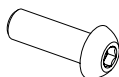
x1 (F)



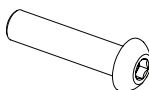
x2 (G)



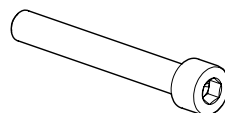
x4 M8x16



x4 M8x25



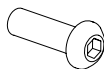
x4 M8x35



x6 M8x60



x4 M6x12



x4 M6x20



x12 M6x8



x4 M8 nut



x8 M8 cap



x4 M8 spacer

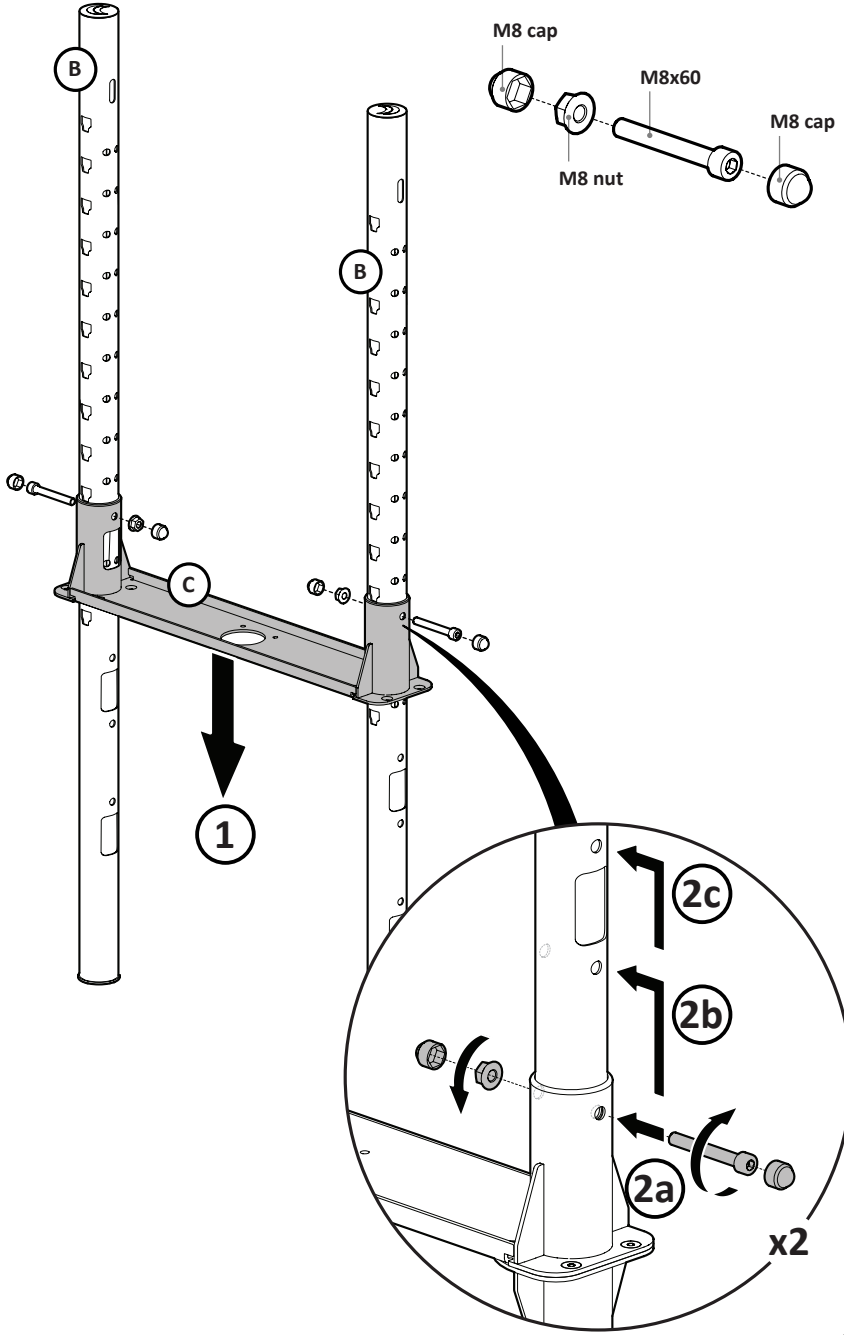


x4 M8 washer

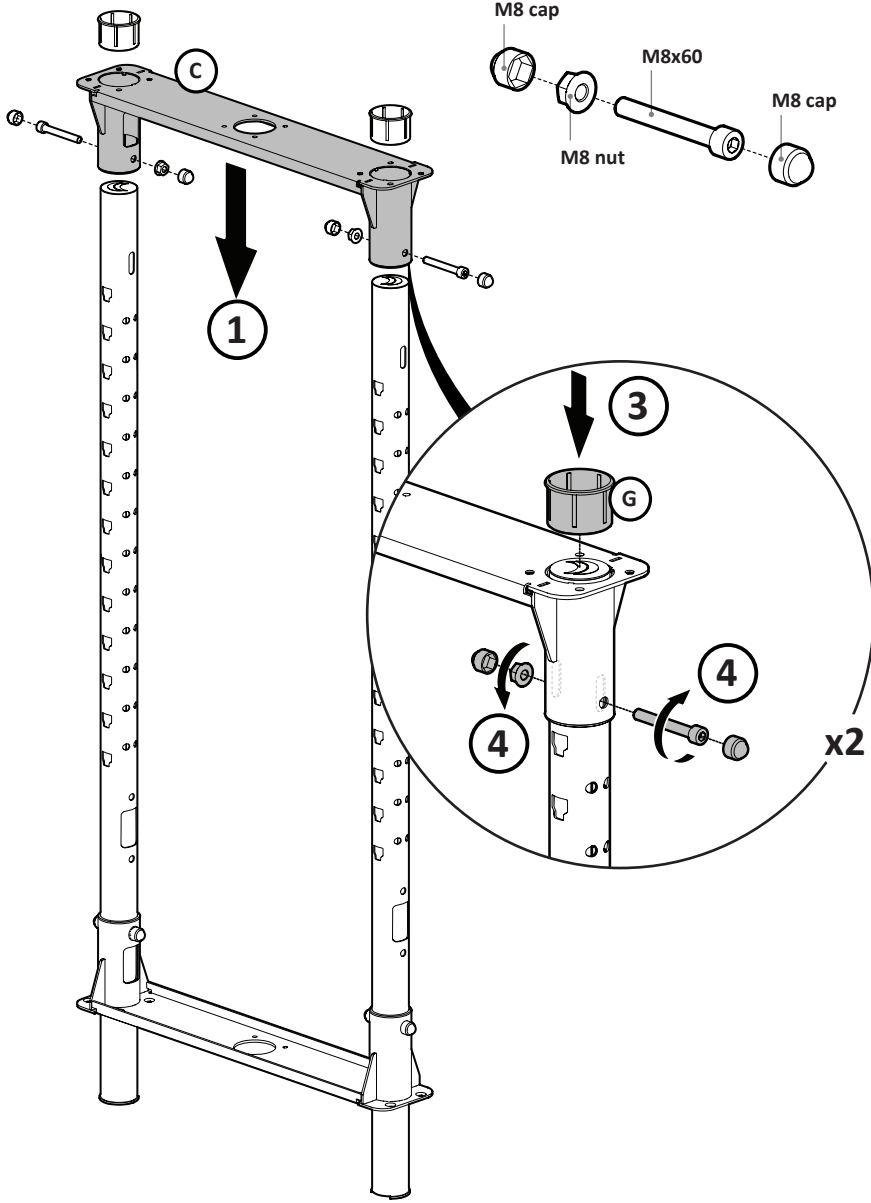


x1 4mm hex key

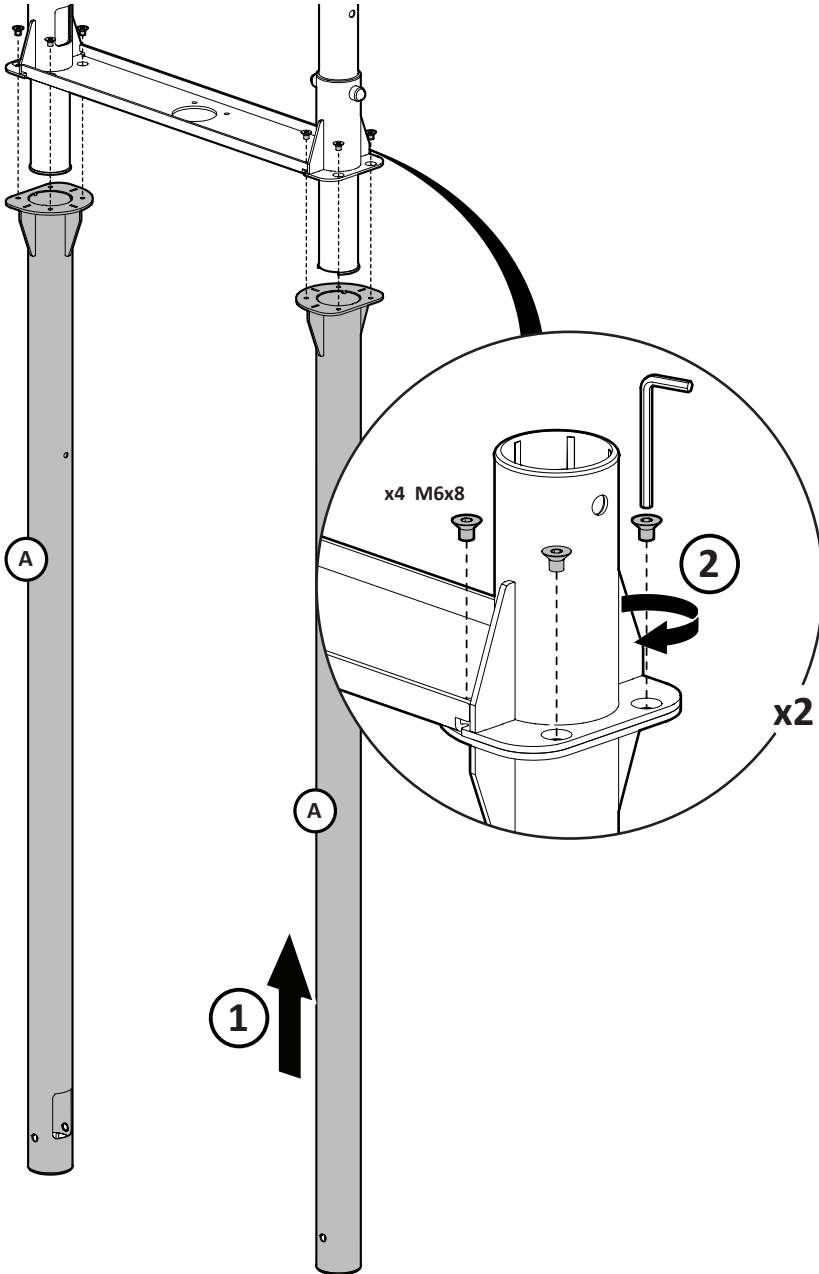
# 1 Preparation, screen poles assembly



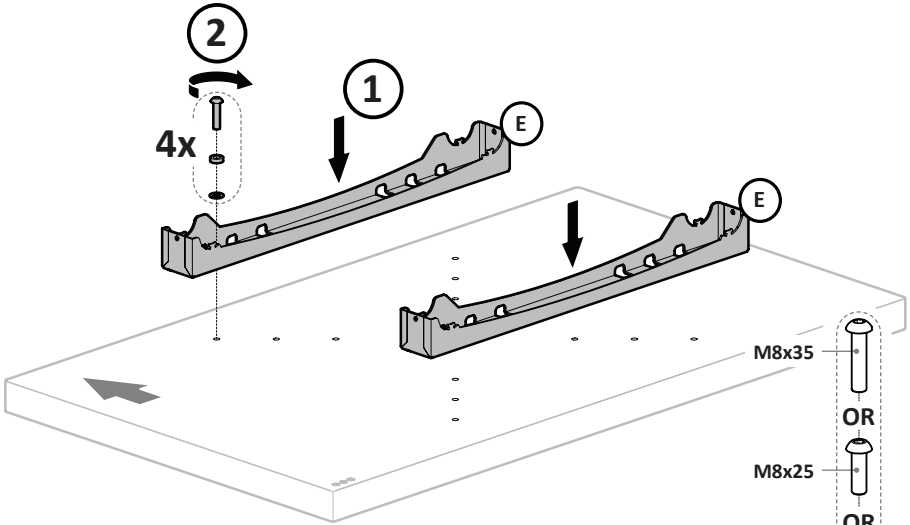
2 Preparation, screen poles assembly top



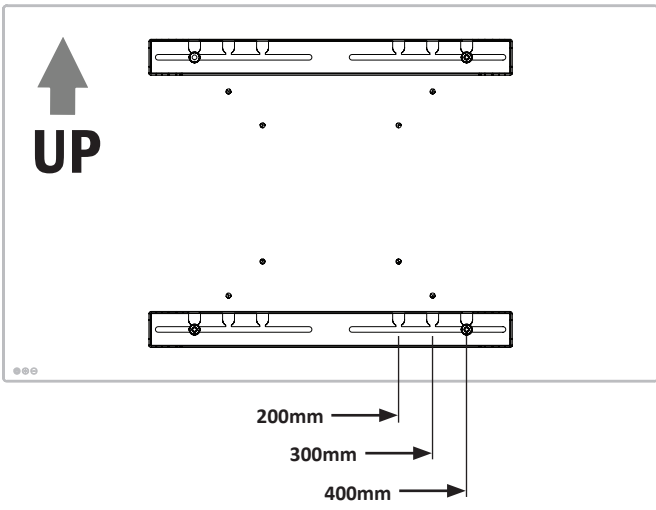
### 3 Preparation, screen poles assembly



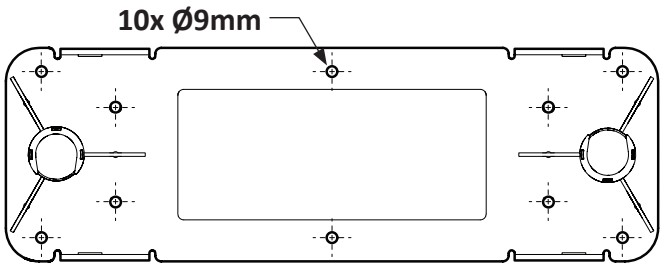
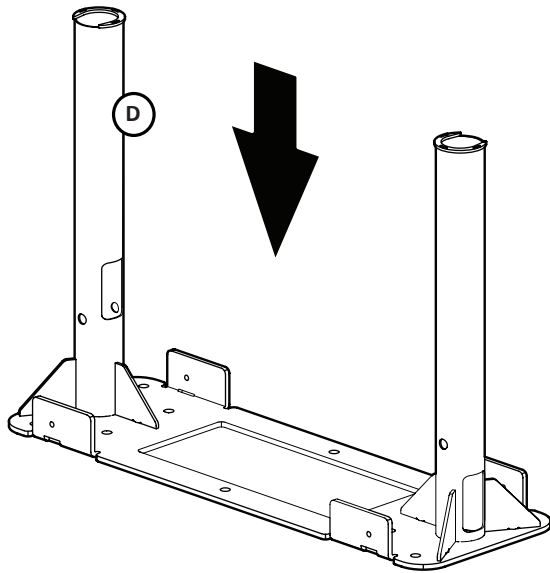
# 4 Preparation, screen brackets assembly



- M8x35
- OR
- M8x25
- OR
- M8x16
- OR
- M6x12
- M8 spacer
- M8 washer



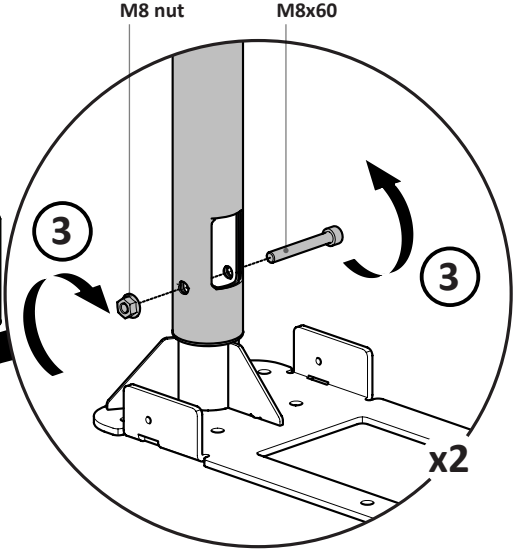
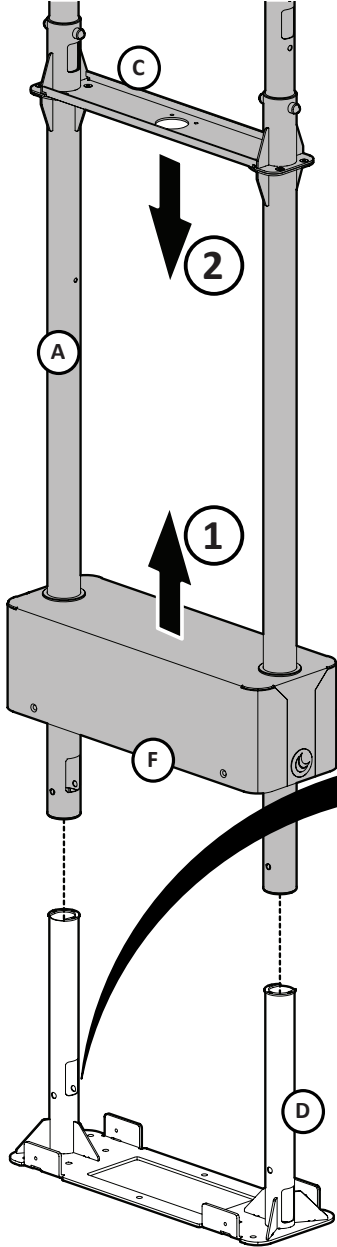
5 Mount base



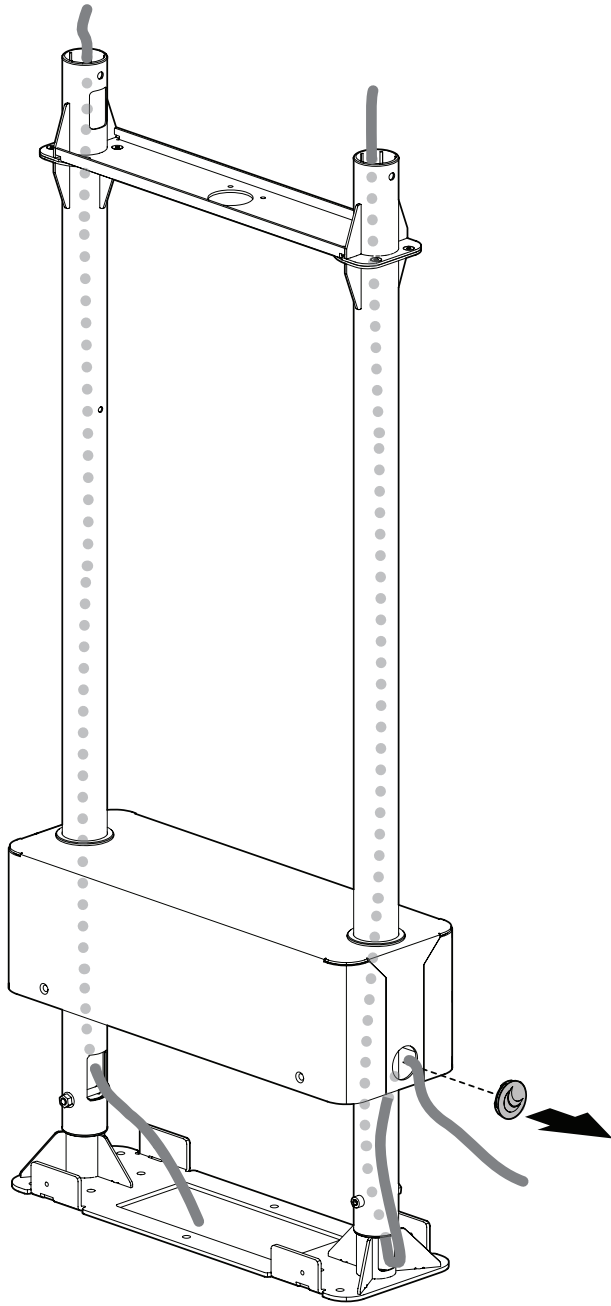
No floor fixings supplied with SPDS4100



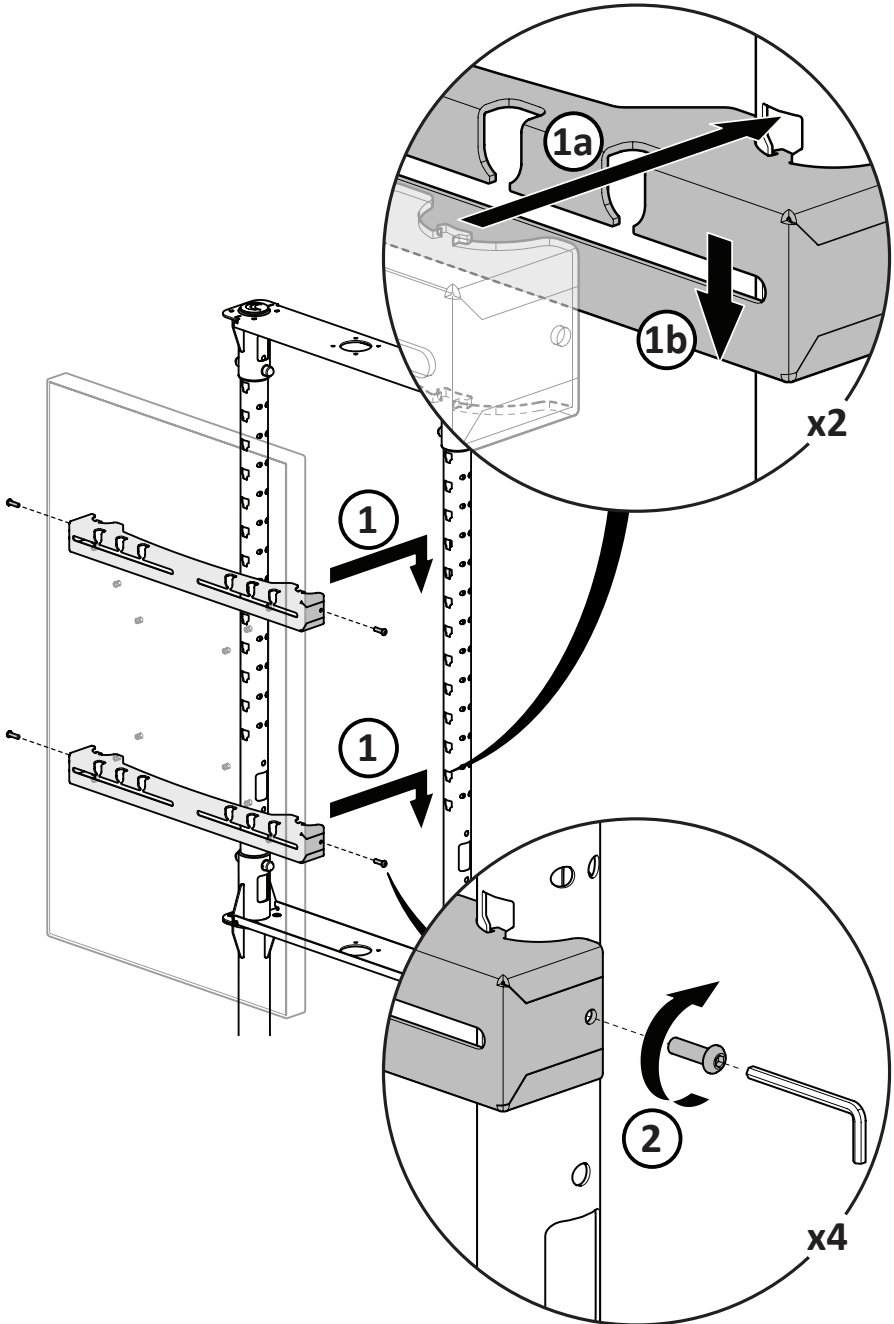
6 Mount base column



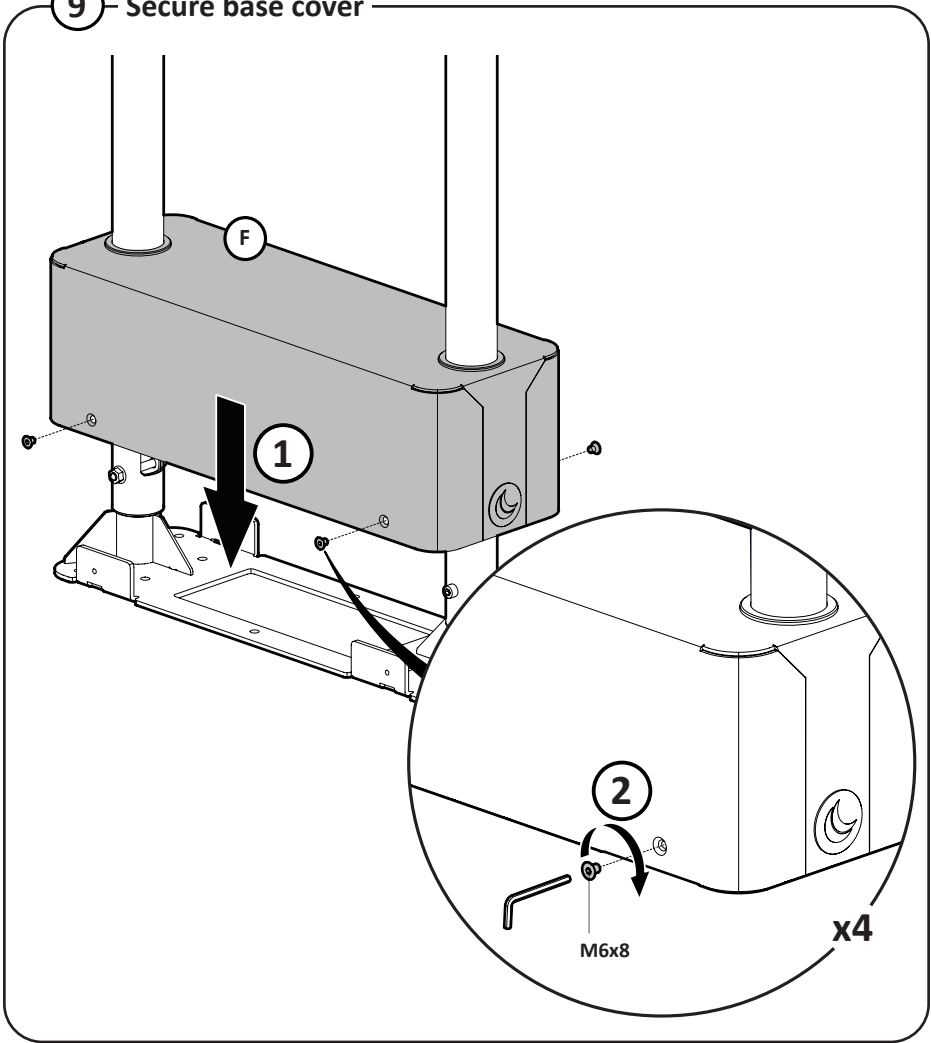
7 Cable management



8 Screen mounting



9 — Secure base cover



Need help? Contact us



**ergonomic<sup>®</sup>  
solutions**  
creators of SpacePole



**spacepole<sup>®</sup>**  
an ergonomic  
solutions company

[ergonomic.solutions/about/contact-us](http://ergonomic.solutions/about/contact-us)

[spacepole.com/about/contact-us](http://spacepole.com/about/contact-us)